

## ABSOLUTE FILTERS MUTLAK FİLTRELER



HG11ARM2GG-0610-0610-78

Filter Type Filtre Tipi	<b>HG</b>	<b>HEPAGEL</b>
Filter Class EN 1822 Filtre Sınıfı EN 1822	<b>11</b>	E11
Filter Frame Filtre Çerçevesi	<b>A</b>	Aluminum Aluminyum
Filter Media Filtre Malzemesi	<b>R</b>	Glass Fiber and Hot Melt Cam Elyaf ve Sıcak Tutkal
Filter Panel Depth Filtre Panel Derinliği	<b>M</b>	58 mm
Filter Surface Grid Filtre Yüzey Teli	<b>2</b>	Two Surfaces İki Yüzeyi telli
Filter Gasket Type Filtre Conta Tipi	<b>G</b>	Gel Gasket Jel Conta
Filter Gasket Direction Filtre Conta Yönü	<b>G</b>	Gasket Air inlet Conta Hava Girişte
Filter Size Filtre Ölçüsü	0610-0610-78	

Filter CODE Structure  
Filtre KOD Yapısı

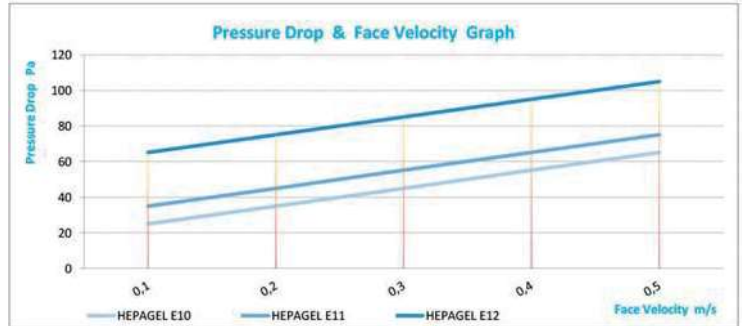
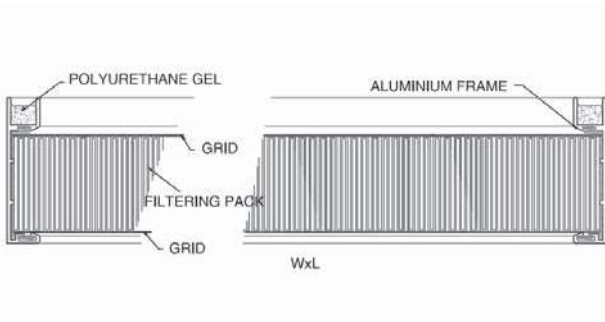
Filter Class Filtre Sınıfı	EN 1822	E10	E11	E12
Average Efficiency Ortalama Verimlilik	≥ 85 %	≥95 %	≥99,5%	
Max.Working Temperature Max.Çalışma Sıcaklığı	80 ° C			
Relative Humidity Bağıl Nem	100%			
Final Pressure Drop Son Basınç Düşümü	600 Pa.			
Filter Stage Filtre Kademesi	III			

### Applications

Used in systems made according to sealed gel technique  
Clean rooms with LAF counters and  
Operating rooms

### Uygulamalar

Sızdırmaz jel tekniğine göre yapılan sistemlerde  
Temiz odalar LAF tezgahları ve  
ameliyat odalarında kullanılır



Recommended final pressure drop ≤ 600 Pa.  
Maximum final pressure drop ≤ 1000 Pa.

Code	Size W x L x D	Filter Class EN 1822	Filter Depth mm	Filter Surface m <sup>2</sup>	Air Flow m <sup>3</sup> /h	In.Pressure D. Pa.	Weight kg
HG10ARM2GG	0305-0305-078	E10	78	2,80	150	60	1,85
	0305-0610-078	E10	78	5,50	300	60	3,50
	0457-0457-078	E10	78	6,00	350	60	4,25
	0457-0610-078	E10	78	8,00	450	60	6,50
	0610-0610-078	E10	78	10,50	600	60	6,80
	0610-0762-078	E10	78	13,00	750	60	8,50
	0610-0915-078	E10	78	15,50	900	60	10,00
	0610-1220-078	E10	78	21,00	1200	60	12,50
	0762-0762-078	E10	78	16,50	900	60	10,00
	0762-0915-078	E10	78	20,00	1150	60	10,50
	0915-0915-078	E10	78	24,00	1350	60	11,50

Code	Size W x L x D	Filter Class EN 1822	Filter Depth mm	Filter Surface m <sup>2</sup>	Air Flow m <sup>3</sup> /h	In.Pressure D. Pa.	Weight kg
HG11ARM2GG	0305-0305-078	E11	78	2,80	150	70	1,85
	0305-0610-078	E11	78	5,50	300	70	3,50
	0457-0457-078	E11	78	6,00	350	70	4,25
	0457-0610-078	E11	78	8,00	450	70	6,50
	0610-0610-078	E11	78	10,50	600	70	6,80
	0610-0762-078	E11	78	13,00	750	70	8,50
	0610-0915-078	E11	78	15,50	900	70	10,00
	0610-1220-078	E11	78	21,00	1200	70	12,50
	0762-0762-078	E11	78	16,50	900	70	10,00
	0762-0915-078	E11	78	20,00	1150	70	10,50
	0915-0915-078	E11	78	24,00	1350	70	11,50

Code	Size W x L x D	Filter Class EN 1822	Filter Depth mm	Filter Surface m <sup>2</sup>	Air Flow m <sup>3</sup> /h	In.Pressure D. Pa.	Weight kg
HG12ARM2GG	0305-0305-078	E12	78	2,80	150	100	1,85
	0305-0610-078	E12	78	5,50	300	100	3,50
	0457-0457-078	E12	78	6,00	350	100	4,25
	0457-0610-078	E12	78	8,00	450	100	6,50
	0610-0610-078	E12	78	10,50	600	100	6,80
	0610-0762-078	E12	78	13,00	750	100	8,50
	0610-0915-078	E12	78	15,50	900	100	10,00
	0610-1220-078	E12	78	21,00	1200	100	12,50
	0762-0762-078	E12	78	16,50	900	100	10,00
	0762-0915-078	E12	78	20,00	1150	100	10,50
	0915-0915-078	E12	78	24,00	1350	100	11,50

## ABSOLUTE FILTERS MUTLAK FİLTRELER



HG13ARM2GG-0610-0610-078

Filter Type Filtre Tipi	HG	HEPAGEL
Filter Class EN 1822 Filtre Sınıfı EN 1822	<b>13</b>	H13
Filter Frame Filtre Çerçevesi	<b>A</b>	Aluminum Alüminyum
Filter Media Filtre Malzemesi	<b>R</b>	Glass Fiber and Hot Melt Cam Elyaf ve Sıcak Tutkal
Filter Panel Depth Filtre Panel Derinliği	<b>M</b>	58 mm
Filter Surface Grid Filtre Yüzey Teli	<b>2</b>	Two Surfaces Grid İki Yüzeyi telli
Filter Gasket Type Filtre Conta Tipi	<b>G</b>	Gel Gasket Jel Conta
Filter Gasket Direction Filtre Conta Yönü	<b>G</b>	Gasket Air inlet Conta Hava Girişte
Filter Size Filtre Ölçüsü	0610-0610-078	

Filter CODE Structure  
Filtre KOD Yapısı

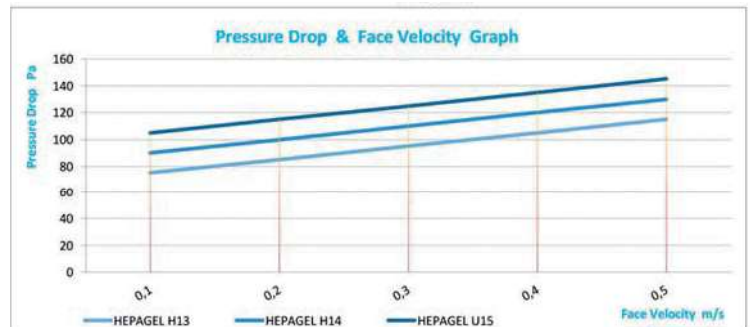
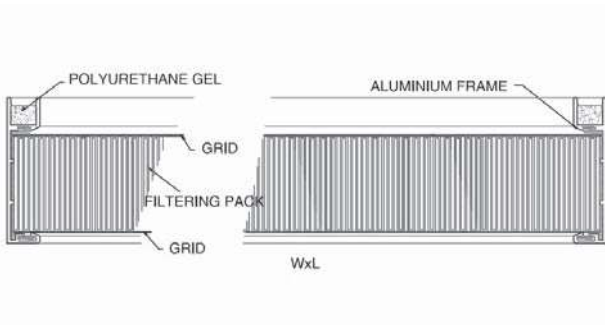
Filter Class Filtre Sınıfı	EN 1822	H13	H14	U15
Average Efficiency Ortalama Verimlilik	≥ 99.95 %	≥99.995 %	≥99.9995%	
Max.Working Temperature Max.Çalışma Sıcaklığı	80 ° C			
Relative Humidity Bağıl Nem	100%			
Final Pressure Drop Son Basınç Düşümü	600 Pa.			
Filter Stage Filtre Kademesi	III			

### Applications

Used in systems made according to sealed gel technique  
Clean rooms with LAF counters and  
Operating rooms

### Uygulamalar

Sızdırmaz jel tekniğine göre yapılan sistemlerde  
Temiz odalar LAF tezgahları ve  
ameliyat odalarında kullanılır



Recommended final pressure drop ≤ 600 Pa.  
Maximum final pressure drop ≤ 1000 Pa.

Code	Size W x L x D	Filter Class EN 1822	Filter Depth mm	Filter Surface m <sup>2</sup>	Air Flow m <sup>3</sup> /h	In.Pressure D. Pa.	Weight kg
HG13ARM2GG	0305-0305-078	H13	78	2,80	150	110	1,85
	0305-0610-078	H13	78	5,50	300	110	3,50
	0457-0457-078	H13	78	6,00	350	110	4,25
	0457-0610-078	H13	78	8,00	450	110	6,50
	0610-0610-078	H13	78	10,50	600	110	6,80
	0610-0762-078	H13	78	13,00	750	110	8,50
	0610-0915-078	H13	78	15,50	900	110	10,00
	0610-1220-078	H13	78	21,00	1200	110	12,50
	0762-0762-078	H13	78	16,50	900	110	10,00
	0762-0915-078	H13	78	20,00	1150	110	10,50
	0915-0915-078	H13	78	24,00	1350	110	11,50

Code	Size W x L x D	Filter Class EN 1822	Filter Depth mm	Filter Surface m <sup>2</sup>	Air Flow m <sup>3</sup> /h	In.Pressure D. Pa.	Weight kg
HG14ARM2GG	0305-0305-078	H14	78	2,80	150	125	1,85
	0305-0610-078	H14	78	5,50	300	125	3,50
	0457-0457-078	H14	78	6,00	350	125	4,25
	0457-0610-078	H14	78	8,00	450	125	6,50
	0610-0610-078	H14	78	10,50	600	125	6,80
	0610-0762-078	H14	78	13,00	750	125	8,50
	0610-0915-078	H14	78	15,50	900	125	10,00
	0610-1220-078	H14	78	21,00	1200	125	12,50
	0762-0762-078	H14	78	16,50	900	125	10,00
	0762-0915-078	H14	78	20,00	1150	125	10,50
	0915-0915-078	H14	78	24,00	1350	125	11,50

Code	Size W x L x D	Filter Class EN 1822	Filter Depth mm	Filter Surface m <sup>2</sup>	Air Flow m <sup>3</sup> /h	In.Pressure D. Pa.	Weight kg
HG15ARM2GG	0305-0305-078	U15	78	2,80	150	140	1,85
	0305-0610-078	U15	78	5,50	300	140	3,50
	0457-0457-078	U15	78	6,00	350	140	4,25
	0457-0610-078	U15	78	8,00	450	140	6,50
	0610-0610-078	U15	78	10,50	600	140	6,80
	0610-0762-078	U15	78	13,00	750	140	8,50
	0610-0915-078	U15	78	15,50	900	140	10,00
	0610-1220-078	U15	78	21,00	1200	140	12,50
	0762-0762-078	U15	78	16,50	900	140	10,00
	0762-0915-078	U15	78	20,00	1150	140	10,50
	0915-0915-078	U15	78	24,00	1350	140	11,50

## ABSOLUTE FILTERS MUTLAK FİLTRELER



HG11ARM2GG-0610-0610-104

### Applications

Used in systems made according to sealed gel technique  
Clean rooms with LAF counters and  
Operating rooms

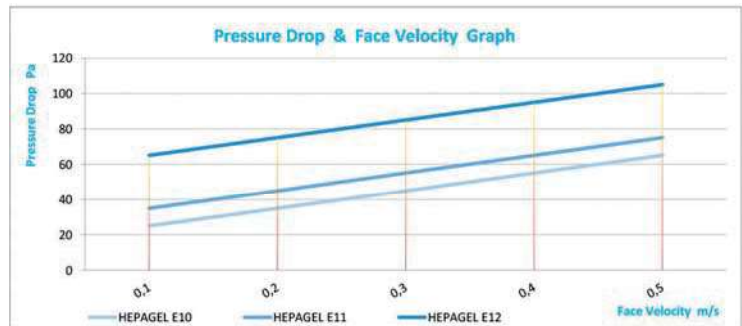
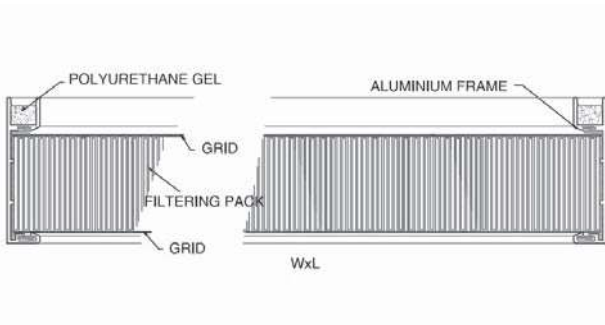
### Uygulamalar

Sızdırmaz jel tekniğine göre yapılan sistemlerde  
Temiz odalar LAF tezgahları ve  
ameliyat odalarında kullanılır

Filter Type Filtre Tipi	HG HEPAGEL	
Filter Class EN 1822 Filtre Sınıfı EN 1822	<b>11</b>	E11
Filter Frame Filtre Çerçevesi	<b>A</b>	Aluminum Aluminyum
Filter Media Filtre Malzemesi	<b>R</b>	Glass Fiber and Hot Melt Cam Elyaf ve Sıcak Tutkal
Filter Panel Depth Filtre Panel Derinliği	<b>M</b>	58 mm
Filter Surface Grid Filtre Yüzey Teli	<b>2</b>	Two Surfaces İki Yüzeyi telli
Filter Gasket Type Filtre Conta Tipi	<b>G</b>	Gel Gasket Jel Conta
Filter Gasket Direction Filtre Conta Yönü	<b>G</b>	Gasket Air inlet Conta Hava Girişte
Filter Size Filtre Ölçüsü	0610-0610-104	

Filter CODE Structure  
Filtre KOD Yapısı

Filter Class Filtre Sınıfı	EN 1822		
	E10	E11	E12
Average Efficiency Ortalama Verimlilik	≥ 85 %	≥95 %	≥99,5%
Max.Working Temperature Max.Çalışma Sıcaklığı	80 ° C		
Relative Humidity Bağıl Nem	100%		
Final Pressure Drop Son Basınç Düşümü	600 Pa.		
Filter Stage Filtre Kademesi	III		



Recommended final pressure drop ≤ 600 Pa.  
Maximum final pressure drop ≤ 1000 Pa.

Code	Size W x L x D	Filter Class EN 1822	Filter Depth mm	Filter Surface m <sup>2</sup>	Air Flow m <sup>3</sup> /h	In.Pressure D. Pa.	Weight kg
HG10ARM2GG	0305-0305-104	E10	104	2,80	150	60	2,20
	0305-0610-104	E10	104	5,50	300	60	4,00
	0457-0457-104	E10	104	6,00	350	60	5,00
	0457-0610-104	E10	104	8,00	450	60	7,50
	0610-0610-104	E10	104	10,50	600	60	7,80
	0610-0762-104	E10	104	13,00	750	60	10,00
	0610-0915-104	E10	104	15,50	900	60	11,50
	0610-1220-104	E10	104	21,00	1200	60	14,25
	0762-0762-104	E10	104	16,50	900	60	11,50
	0762-0915-104	E10	104	20,00	1150	60	12,00
	0915-0915-104	E10	104	24,00	1350	60	13,25

Code	Size W x L x D	Filter Class EN 1822	Filter Depth mm	Filter Surface m <sup>2</sup>	Air Flow m <sup>3</sup> /h	In.Pressure D. Pa.	Weight kg
HG11ARM2GG	0305-0305-104	E11	104	2,80	150	70	2,20
	0305-0610-104	E11	104	5,50	300	70	4,00
	0457-0457-104	E11	104	6,00	350	70	5,00
	0457-0610-104	E11	104	8,00	450	70	7,50
	0610-0610-104	E11	104	10,50	600	70	7,80
	0610-0762-104	E11	104	13,00	750	70	10,00
	0610-0915-104	E11	104	15,50	900	70	11,50
	0610-1220-104	E11	104	21,00	1200	70	14,25
	0762-0762-104	E11	104	16,50	900	70	11,50
	0762-0915-104	E11	104	20,00	1150	70	12,00
	0915-0915-104	E11	104	24,00	1350	70	13,25

Code	Size W x L x D	Filter Class EN 1822	Filter Depth mm	Filter Surface m <sup>2</sup>	Air Flow m <sup>3</sup> /h	In.Pressure D. Pa.	Weight kg
HG12ARM2GG	0305-0305-104	H12	104	2,80	150	100	2,20
	0305-0610-104	H12	104	5,50	300	100	4,00
	0457-0457-104	H12	104	6,00	350	100	5,00
	0457-0610-104	H12	104	8,00	450	100	7,50
	0610-0610-104	H12	104	10,50	600	100	7,80
	0610-0762-104	H12	104	13,00	750	100	10,00
	0610-0915-104	H12	104	15,50	900	100	11,50
	0610-1220-104	H12	104	21,00	1200	100	14,25
	0762-0762-104	H12	104	16,50	900	100	11,50
	0762-0915-104	H12	104	20,00	1150	100	12,00
	0915-0915-104	H12	104	24,00	1350	100	13,25

## ABSOLUTE FILTERS MUTLAK FİLTRELER



HG13ARM2GG-0610-0610-104

### Applications

Used in systems made according to sealed gel technique  
Clean rooms with LAF counters and  
Operating rooms

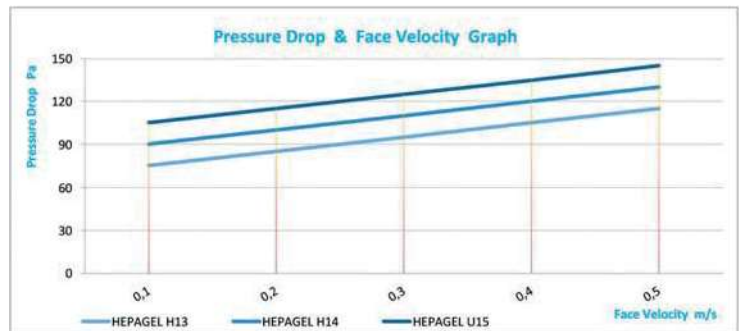
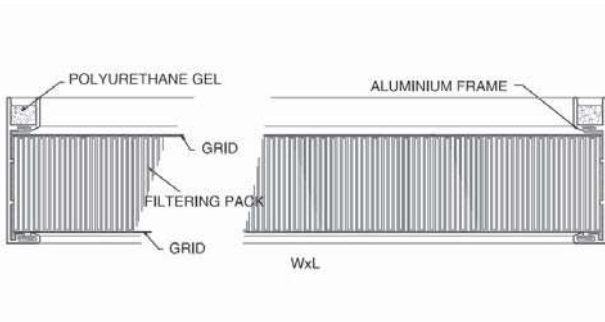
### Uygulamalar

Sızdırmaz jel tekniğine göre yapılan sistemlerde  
Temiz odalar LAF tezgahları ve  
ameliyat odalarında kullanılır

Filter Type Filtre Tipi	<b>HG</b>	<b>HEPAGEL</b>
Filter Class EN 1822 Filtre Sınıfı EN 1822	<b>13</b>	H13
Filter Frame Filtre Çerçevesi	<b>A</b>	Aluminum Alüminyum
Filter Media Filtre Malzemesi	<b>R</b>	Glass Fiber and Hot Melt Cam Elyaf ve Sıcak Tutkal
Filter Panel Depth Filtre Panel Derinliği	<b>M</b>	58 mm
Filter Surface Grid Filtre Yüzey Teli	<b>2</b>	Two Surfaces Grid İki Yüzeyi telli
Filter Gasket Type Filtre Conta Tipi	<b>G</b>	Gel Gasket Jel Conta
Filter Gasket Direction Filtre Conta Yönü	<b>G</b>	Gasket Air inlet Conta Hava Girişte
Filter Size Filtre Ölçüsü	0610-0610-104	

Filter CODE Structure  
Filtre KOD Yapısı

Filter Class Filtre Sınıfı	EN 1822	H13	H14	U15
Average Efficiency Ortalama Verimlilik	≥ 99.95 %	≥99.995 %	≥99.9995%	
Max.Working Temperature Max.Çalışma Sıcaklığı	80 ° C			
Relative Humidity Bağıl Nem	100%			
Final Pressure Drop Son Basınç Düşümü	600 Pa.			
Filter Stage Filtre Kademesi	III			



Recommended final pressure drop ≤ 600 Pa.  
Maximum final pressure drop ≤ 1000 Pa.

Code	Size W x L x D	Filter Class EN 1822	Filter Depth mm	Filter Surface m <sup>2</sup>	Air Flow m <sup>3</sup> /h	In.Pressure D. Pa.	Weight kg
HG13ARM2GG	0305-0305-104	H13	104	2,80	150	110	2,20
	0305-0610-104	H13	104	5,50	300	110	4,00
	0457-0457-104	H13	104	6,00	350	110	5,00
	0457-0610-104	H13	104	8,00	450	110	7,50
	0610-0610-104	H13	104	10,50	600	110	7,80
	0610-0762-104	H13	104	13,00	750	110	10,00
	0610-0915-104	H13	104	15,50	900	110	11,50
	0610-1220-104	H13	104	21,00	1200	110	14,25
	0762-0762-104	H13	104	16,50	900	110	11,50
	0762-0915-104	H13	104	20,00	1150	110	12,00
0915-0915-104	H13	104	24,00	1350	110	13,25	

Code	Size W x L x D	Filter Class EN 1822	Filter Depth mm	Filter Surface m <sup>2</sup>	Air Flow m <sup>3</sup> /h	In.Pressure D. Pa.	Weight kg
HG14ARM2GG	0305-0305-104	H14	104	2,80	150	125	2,20
	0305-0610-104	H14	104	5,50	300	125	4,00
	0457-0457-104	H14	104	6,00	350	125	5,00
	0457-0610-104	H14	104	8,00	450	125	7,50
	0610-0610-104	H14	104	10,50	600	125	7,80
	0610-0762-104	H14	104	13,00	750	125	10,00
	0610-0915-104	H14	104	15,50	900	125	11,50
	0610-1220-104	H14	104	21,00	1200	125	14,25
	0762-0762-104	H14	104	16,50	900	125	11,50
	0762-0915-104	H14	104	20,00	1150	125	12,00
0915-0915-104	H14	104	24,00	1350	125	13,25	

Code	Size W x L x D	Filter Class EN 1822	Filter Depth mm	Filter Surface m <sup>2</sup>	Air Flow m <sup>3</sup> /h	In.Pressure D. Pa.	Weight kg
HG15ARM2GG	0305-0305-104	U15	104	2,80	150	140	2,20
	0305-0610-104	U15	104	5,50	300	140	4,00
	0457-0457-104	U15	104	6,00	350	140	5,00
	0457-0610-104	U15	104	8,00	450	140	7,50
	0610-0610-104	U15	104	10,50	600	140	7,80
	0610-0762-104	U15	104	13,00	750	140	10,00
	0610-0915-104	U15	104	15,50	900	140	11,50
	0610-1220-104	U15	104	21,00	1200	140	14,25
	0762-0762-104	U15	104	16,50	900	140	11,50
	0762-0915-104	U15	104	20,00	1150	140	12,00
0915-0915-104	U15	104	24,00	1350	140	13,25	